

H1 Mounting Instructions



Instructions for permanently mounting the SCRUSHER®

The SCRUSHER® can be easily mounted on any flat surface. Simply remove the bottom brushes to expose the pre-drilled holes and insert screws (2). To install in cement, drill ¼" holes and insert plastic anchors. Use screws (2) to secure. To clean, use vacuum, garden hose, or... let the rain do it!

For portable use

To enable you to pick-up and use the SCRUSHER® anywhere, the following [Black Steel Base](#) (6" X 22") or [Gripper Base](#) will fit on all SCRUSHER® (H1)



Instructions for permanently mounting the SCRUSHER®

1. Pound out bottom brushes



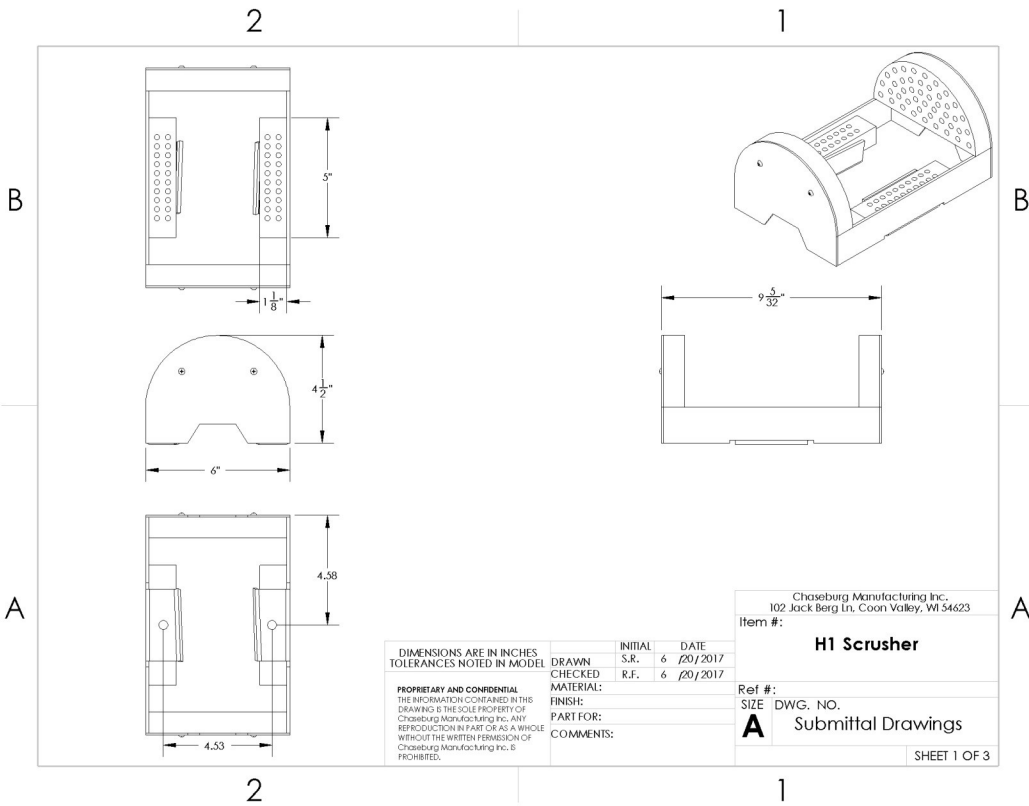
2. Insert screw into bottom hole and screw bolt through holes



3. Mount to surface



4. Complete



Instructions for mounting H1 to Base



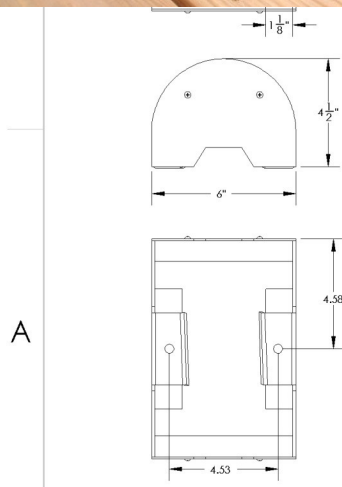
1. Pound out bottom brushes



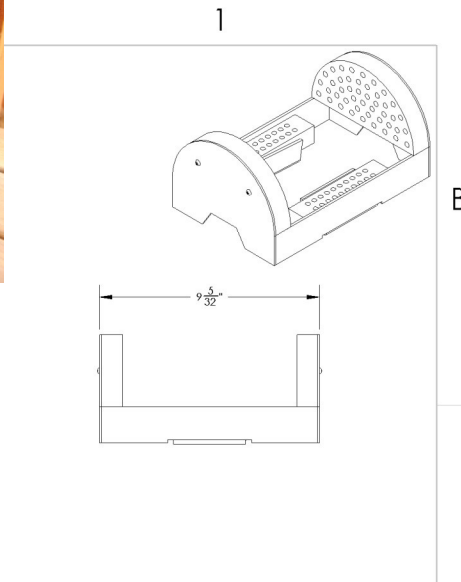
2. Bolt to base through bottom hole



3. Complete



2



Chaseburg Manufacturing Inc. 102 Jack Berg Ln. Coon Valley, WI 54623	
Item #:	H1 Scrusher
Ref #:	
SIZE DWG. NO.	A Submittal Drawings
SHEET 1 OF 3	

1

DIMENSIONS ARE IN INCHES TOLERANCES NOTED IN MODEL PROPRIETARY AND CONFIDENTIAL THE INFORMATION CONTAINED IN THIS DRAWING IS THE SOLE PROPERTY OF CHASEBURG MANUFACTURING INC. ANY REPRODUCTION IN PART OR AS A WHOLE WITHOUT THE WRITTEN PERMISSION OF CHASEBURG MANUFACTURING INC. IS PROHIBITED.	INITIAL S.R. 6 R.F. 6	DATE 2/20/2017 2/20/2017
	DRAWN CHECKED MATERIAL: FINISH: PART FOR: COMMENTS:	